

FIG1

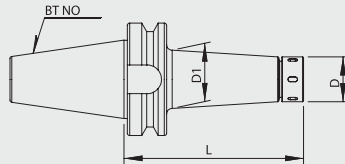
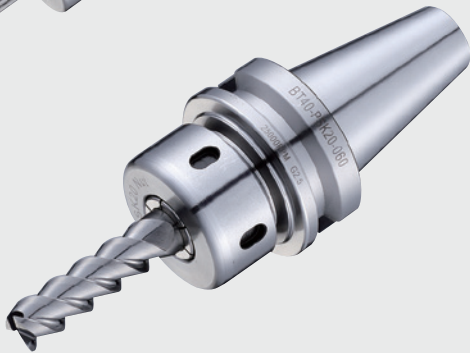


FIG2

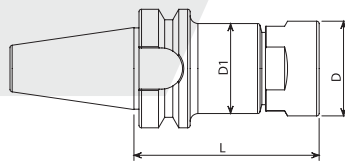
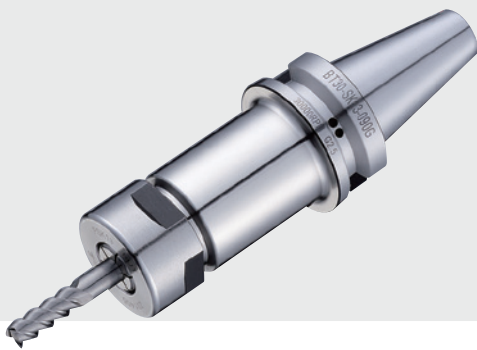


FIG3

刀桿配件



板手
Wrench



勾型板手
PSK/DCM/ER Wrench

ITEM NO. 型號	ITEM NO. 型號
BT30-PSK10-045	BT40-PSK25-080
BT30-PSK10-060	BT40-PSK25-120
BT30-PSK10-090	BT40-PSK25-150
BT30-PSK10-130	BT40-PSK25-200
BT30-PSK13-060	BT50-PSK10-105
BT30-PSK13-075	BT50-PSK10-135
BT30-PSK13-090	BT50-PSK10-150
BT30-PSK13-130	BT50-PSK10-165
BT30-PSK16-060	BT50-PSK10-200
BT30-PSK16-090	BT50-PSK13-105
BT30-PSK16-130	BT50-PSK13-135
BT30-PSK20-060	BT50-PSK13-150
BT30-PSK20-090	BT50-PSK13-165
BT30-PSK25-090	BT50-PSK13-200
BT40-PSK10-060	BT50-PSK16-065
BT40-PSK10-090	BT50-PSK16-105
BT40-PSK10-120	BT50-PSK16-135
BT40-PSK10-150	BT50-PSK16-150
BT40-PSK10-165	BT50-PSK16-165
BT40-PSK10-200	BT50-PSK16-200
BT40-PSK13-060	BT50-PSK16-250
BT40-PSK13-090	BT50-PSK16-300
BT40-PSK13-120	BT50-PSK20-105
BT40-PSK13-150	BT50-PSK20-135
BT40-PSK13-165	BT50-PSK20-150
BT40-PSK13-200	BT50-PSK20-165
BT40-PSK16-060	BT50-PSK20-200
BT40-PSK16-090	BT50-PSK20-250
BT40-PSK16-120	BT50-PSK20-300
BT40-PSK16-150	BT50-PSK25-105
BT40-PSK16-165	BT50-PSK25-135
BT40-PSK16-200	BT50-PSK25-150
BT40-PSK20-060	BT50-PSK25-165
BT40-PSK20-090	BT50-PSK25-200
BT40-PSK20-120	BT50-PSK25-250
BT40-PSK20-150	BT50-PSK25-300
BT40-PSK20-200	-